

# MAXANT TECHLINE Illuminators

Models 77-201TR to 77-466TS



Two over two panel recess mounted unit  
(Model 77-222TR)

## Introduction

The MAXANT TECHLINE Illuminator is a universal body design available in multiple “instant on” lighting configurations, including the TECHLINE 200, 300 and 400 series. Offered in configurations from a single panel through six over six panels, surface and recess mounted, TECHLINE provides maximum quality and flexibility for radiological film interpretation.

TECHLINE is a high-end line that boasts the EvenVue Reflector System for uniform lighting, Cluster Switching for optimal convenience, and many other standard features.

## Applications

TECHLINE is ideal for use in hospital and medical high-volume environments. It incorporates the most commonly requested features and benefits desired by diagnostic imaging professionals.

### *Standard features and benefits*

- Thin 3.375 inch profile
- Sturdy steel construction
- TECH-GRIP, roller gravity film holding system
- Centralized cluster switching
- Continuous bottom film ledge
- Minimal 1.8 inch separation between tiers of two tiered fixtures
- Engineered design easily serviced
- Baked white enamel finish
- UL listed & CSA approved

### *Optional features and benefits*

- Film activated micro switch
- Dual intensity (available on TECHLINE 300 & 400 series only)
- Multi-panel master switch
- Surface mount hardwired
- Hospital grade plug
- Diagnostic viewing center

## Specifications

**Body construction** 18 gauge welded steel construction, 3.375 inch deep body

**Ballasts** All ballasts are U.L. listed and C.S.A. approved rapid start, low leakage, thermally protected, Class P type. These ballasts have self starting reliability exceeding 10,000 cycles with an anticipated 50,000 hours of operating life

**Line cord and plug** Each surface mounted fixture comes standard with a grounded chassis, 7 inch line cord and NEMA 5-15P 2-pole, 3 wire ground

**Film grip** Roller gravity film holding system accommodates all film thickness variations. This grip will not scratch or tear film. Requires no field adjustments. Open sides facilitate viewing of oversize film

**Continuous bottom film ledge** Allows for the placement of small film formats on the top and bottom of viewing area

**Finish** Powder coated white finish is bonded to all steel surfaces to provide durable chip and wear resistant outer surface

Highly reflective inner finish provides optimal light distribution

**Diffusing panel** 0.125 inch shatter resistant, U.L. listed translucent thermoplastic

**Switches** The standard two position rocker switch provides manual ON/OFF lighting for each viewing area

**Engineered two tiered fixture design** Two tier configurations have a minimal separation of 1.8 inch between tiers allowing for convenient top to bottom image comparison

**Engineered design for easy servicing** Viewing panel is easily removed without tools. Fixture is serviceable without having to remove fixture from wall. Individual wireway panels can be easily removed for direct access to problem panels

**Cluster switching** Individual rocker control switches are a standard feature and are centrally located at the bottom of the fixture, configured in the same layout as the viewing panels they control

### Optional features

**Film activated 3 position rocker switch** Provides for manual ON/OFF and film activated mode which activates the viewing area when a film is inserted into the film grip

**Master switch** Provided master ON/OFF control of the entire fixture

**Hospital grade plug** Heavy duty plug specified in certain municipalities

**Surface mount hardwiring** Single electrical power exit location on the rear of fixture allows for surface mounted fixtures to be directly wired to the wall

**Diagnostic viewing center angulation and corner mounting**  
Angled mounting: top tier vertical and bottom tier angled at 20° maintaining centralized Cluster Switching located at bottom center of fixture which controls top and bottom tiers (see DVC information)

Light source and luminance	Illumination levels (expected minimum cd/m <sup>2</sup> )	Amps per panel	Voltage requirements	Fluorescent lamp type
<b>Techline 200 series</b>	2000	0.75	118 V, 60 Hz	(2)-F15T8/D per panel
<b>Techline 300 series</b>				
<b>Standard</b> high intensity	3500*	0.66	118 V, 60 Hz	(3)-F15T8/D per panel
<b>Optional</b> dual intensity - low mode	2500			
<b>Optional</b> dual intensity - high mode	3500*			
<b>Techline 400 series</b>				
<b>Standard</b> high intensity	4000*	0.7	118 V, 60 Hz	(4)-F15T8/D per panel
<b>Optional</b> dual intensity - low mode	2000			
<b>Optional</b> dual intensity - high mode	3800*			

\* The noted series exceeds the American College of Radiology recommended light level of 3000 cd/m<sup>2</sup> for mammography viewing.

Published readings are 3% less than actual test levels to allow for decreased light output as a result of normal usage.

These light levels are taken from procedures specified by the German DIN 6856 standard. Currently this is the only published standard for evaluating the luminance levels of x-ray illuminators. These levels were measured under the following conditions: an ambient temperature of 21°C (70°F), 118 V line voltage and new lamps. Light levels measured in the field may vary with the local environment, including lamp age, line voltage, ambient temperature and lamp temperature. These measurements are subject to change without notice.

## Specifications (cont)

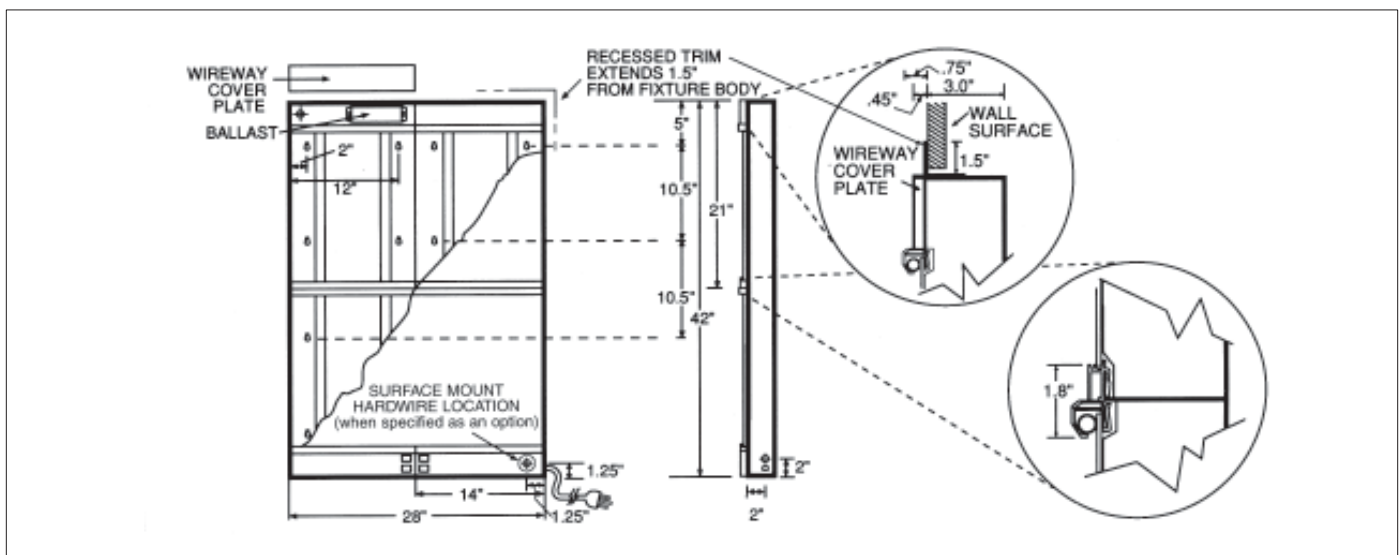
Recess mounted	Dimensions (inches)			200 series (2 lamp)		300 series (3 lamp)		400 series (4 lamp)	
	Viewing area*	Wall cutout**		Model	Shipping wgt (lb)	Model	Shipping wgt (lb)	Model	Shipping wgt (lb)
Length		Height							
1 panel 14 x 17 inch	14 x 17	14.75	21.75	77-201TR	26	77-301TR	26	77-401TR	26
2 panel side by side	28 x 17	28.75	21.75	77-202TR	45	77-302TR	45	77-402TR	45
3 panel side by side	42 x 17	42.75	21.75	77-203TR	64	77-303TR	64	77-403TR	64
4 panel side by side	56 x 17	56.75	21.75	77-204TR	87	77-304TR	87	77-404TR	87
5 panel side by side	70 x 17	70.75	21.75	77-205TR	107	77-305TR	107	77-405TR	107
6 panel side by side	84 x 17	84.75	21.75	77-206TR	128	77-306TR	128	77-406TR	128
1 over 1, 14 x 17 inch	2 x 14 x 17	14.75	42.75	77-211TR	39	77-311TR	39	77-411TR	39
2 over 2	2 x 28 x 17	28.75	42.75	77-222TR	86	77-322TR	86	77-422TR	86
3 over 3	2 x 42 x 17	42.75	42.75	77-233TR	126	77-333TR	126	77-433TR	126
4 over 4	2 x 56 x 17	56.75	42.75	77-244TR	165	77-344TR	165	77-444TR	165
5 over 5	2 x 70 x 17	70.75	42.75	77-255TR	328 (crated)	77-355TR	328 (crated)	77-455TR	328 (crated)
6 over 6	2 x 84 x 17	84.75	42.75	77-266TR	364 (crated)	77-366TR	364 (crated)	77-466TR	364 (crated)

\* Viewing height is actually 16.5 inches in order that extraneous light is eliminated when standard 14 x 17 inch film is inserted in the roller gravity grip.

\*\* Overall recessed fixture dimensions, including recessed trim length and height, are each 3 inches greater than surface mounted dimensions.

Options	
Model	Description (per fixture)
77-FAS	Film Activated Switch
77-MS	On/Off Master Switch
77-DB300	Hi/Low Dual Brightness Switch 300 series (includes FAS)
77-DB400	Hi/Low Dual Brightness Switch 400 series (includes FAS)
77-HGP	Hospital Grade Plug
77-HW	Surface Mount/Hard Wired
77-HF	Handle and Non-Skid Feet
77-DVCxx	Diagnostic Viewing Center (per system)
	77-DVC11 to 77-DVC44
	77-DVC55 and 77-DVC66
	77-DVC90 (with Bright Spot capability)
	77-DVC91 (without Bright Spot capability)
	77-DVC11C (1 over 1 Angulated Corner System)
	77-DVC00 (1 over 1 Vertical Corner System) (available in one and two panel configurations only)

Replacement parts	
Model	Description
77-FAMS	Film Activated Micro Switch
77-CS-REPL	Cluster Switching
77-MS-REPL	ON/OFF Master Switch
77-LC-REPL	Line Cord and Plug Assembly
77-REPL-VP	Translucent Viewing Panel (per panel)
77-HGP-REPL	Hospital Grade Plug
77-BAL-200	Ballasts Techline 200 Series
77-BAL-300S	Ballasts Techline 300 Series single intensity
77-BAL-300D	Ballasts Techline 300 Series dual brightness
77-BAL-400S	Ballasts Techline 400 Series single intensity
77-BAL-400D	Ballasts Techline 400 Series dual brightness
Re-mount retrofit kits	
Model	Description
77-REC/SUR	Recess to Surface (per panel)
77-SUR/REC	Surface to Recess (per panel)



## Specifications (cont)

Surface mounted	Dimensions (inches)			200 series (2 lamp)		300 series (3 lamp)		400 series (4 lamp)	
	Viewing area*	Length	Height	Model	Shipping wgt (lb)	Model	Shipping wgt (lb)	Model	Shipping wgt (lb)
1 panel 14 x 17 inch	14 x 17	14	21	<b>77-201TS</b>	24	<b>77-301TS</b>	24	<b>77-401TS</b>	24
2 panel side by side	28 x 17	28	21	<b>77-202TS</b>	44	<b>77-302TS</b>	44	<b>77-402TS</b>	44
3 panel side by side	42 x 17	42	21	<b>77-203TS</b>	64	<b>77-303TS</b>	64	<b>77-403TS</b>	64
4 panel side by side	56 x 17	56	21	<b>77-204TS</b>	64	<b>77-304TS</b>	64	<b>77-404TS</b>	64
5 panel side by side	70 x 17	70	21	<b>77-205TS</b>	107	<b>77-305TS</b>	107	<b>77-405TS</b>	107
6 panel side by side	84 x 17	84	21	<b>77-206TS</b>	125	<b>77-306TS</b>	125	<b>77-406TS</b>	125
1 over 1, 14 x 17 inch	2 x 14 x 17	14	42	<b>77-211TS</b>	37	<b>77-311TS</b>	37	<b>77-411TS</b>	37
2 over 2	2 x 28 x 17	28	42	<b>77-222TS</b>	82	<b>77-322TS</b>	82	<b>77-422TS</b>	82
3 over 3	2 x 42 x 17	42	42	<b>77-233TS</b>	125	<b>77-333TS</b>	125	<b>77-433TS</b>	125
4 over 4	2 x 56 x 17	56	42	<b>77-244TS</b>	158	<b>77-344TS</b>	158	<b>77-444TS</b>	158
5 over 5	2 x 70 x 17	70	42	<b>77-255TS</b>	307 (crated)	<b>77-355TS</b>	307 (crated)	<b>77-455TS</b>	307 (crated)
6 over 6	2 x 84 x 17	84	42	<b>77-266TS</b>	346 (crated)	<b>77-366TS</b>	346 (crated)	<b>77-466TS</b>	346 (crated)

\* Viewing height is actually 16.5 inches in order that extraneous light is eliminated when standard 14 x 17 inch film is inserted in the roller gravity grip.

Options	
Model	Description (per fixture)
<b>77-FAS</b>	Film Activated Switch
<b>77-MS</b>	On/Off Master Switch
<b>77-DB300</b>	Hi/Low Dual Brightness Switch 300 series (includes FAS)
<b>77-DB400</b>	Hi/Low Dual Brightness Switch 400 series (includes FAS)
<b>77-HGP</b>	Hospital Grade Plug
<b>77-HW</b>	Surface Mount/Hard Wired
<b>77-HF</b>	Handle and Non-Skid Feet
<b>77-DVCxx</b>	Diagnostic Viewing Center (per system)
	77-DVC11 to 77-DVC44
	77-DVC55 and 77-DVC66
	77-DVC90 (with Bright Spot capability)
	77-DVC91 (without Bright Spot capability)
	77-DVC11C (1 over 1 Angulated Corner System)
	77-DVC00 (1 over 1 Vertical Corner System) (available in one and two panel configurations only)

Replacement parts	
Model	Description
<b>77-FAMS</b>	Film Activated Micro Switch
<b>77-CS-REPL</b>	Cluster Switching
<b>77-MS-REPL</b>	ON/OFF Master Switch
<b>77-LC-REPL</b>	Line Cord and Plug Assembly
<b>77-REPL-VP</b>	Translucent Viewing Panel (per panel)
<b>77-HGP-REPL</b>	Hospital Grade Plug
<b>77-BAL-200</b>	Ballasts Techline 200 Series
<b>77-BAL-300S</b>	Ballasts Techline 300 Series single intensity
<b>77-BAL-300D</b>	Ballasts Techline 300 Series dual brightness
<b>77-BAL-400S</b>	Ballasts Techline 400 Series single intensity
<b>77-BAL-400D</b>	Ballasts Techline 400 Series dual brightness
Re-mount retrofit kits	
Model	Description
<b>77-REC/SUR</b>	Recess to Surface (per panel)
<b>77-SUR/REC</b>	Surface to Recess (per panel)